

Editor:
Internationales Mandel-Institut
für Esogetische Medizin,
Bruchsal

Esogetic Medicine/ Colorpuncture UpDate Seminar 2023

Corrections

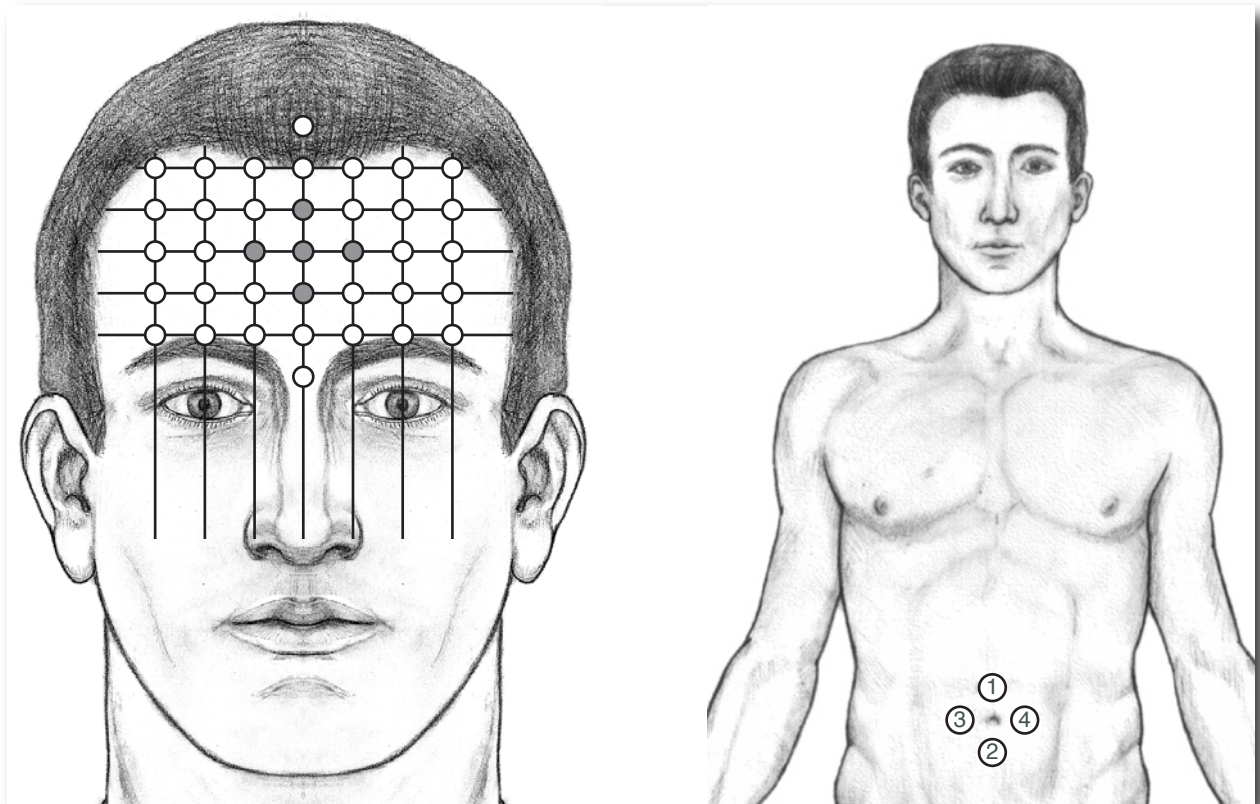
All materials, contributions and illustrations are protected by copyright.
Use and reprint, even excerpts, are subject to written permission.
© Copyright 2018 by Peter Mandel + international Mandel Institute for Esogetic Medicine, Bruchsal



THE SMALL PFC CROSS

Indication:

Activation and harmonization of the three brains. Above is the reference to the cranial brain and below that to the abdominal brain. The points on the ectoderm line refer to the thorax, and as I strongly believe now, particularly to the heart. The midpoint addresses all the concerns of the PFC. We can use this treatment for all diseases, whenever the reactions to any therapy are insufficient.



Treatment sequence:

1. Acupuncture/piezoelectric pulses.
2. Induction and Colorpuncture
 1. MidpointGamma/UV
 2. Point, topBeta/Crimson
 3. Point bottomDelta/Lightgreen
 4. Point, right sideAlpha/Turquoise
 5. Point, left sideTheta/Rose

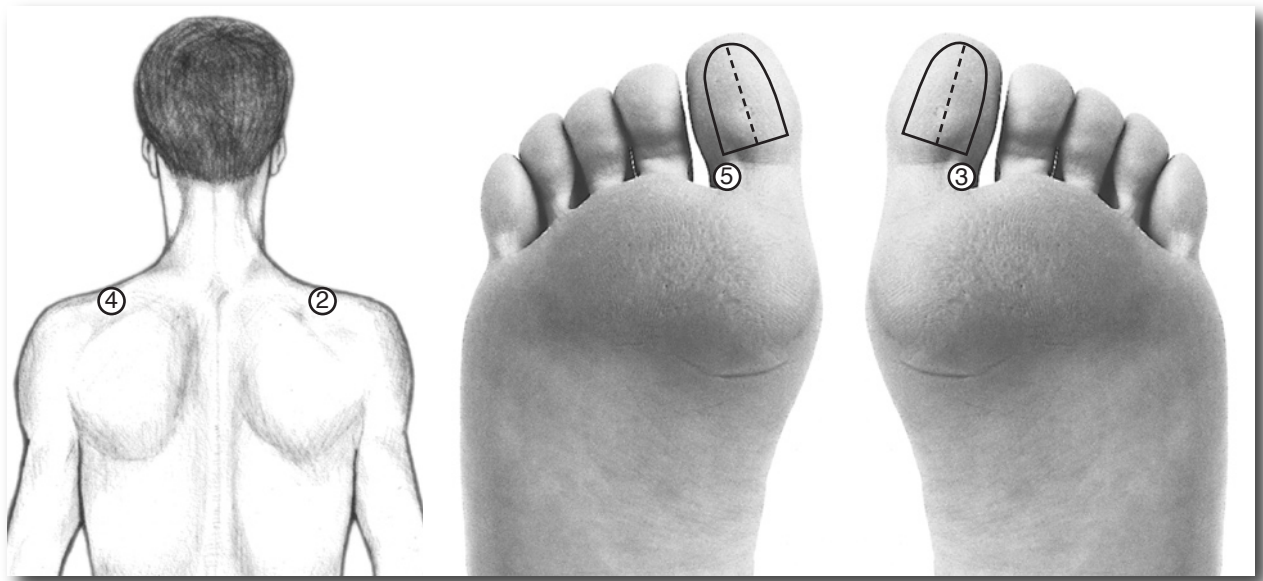
Combination with the navel rhombus.

1. Acupuncture/piezoelectric impulses
2. Induction and Colorpuncture
 1. topBeta/Crimson
 2. bottomDelta/Lightgreen
 3. rightAlpha/Turquoise
 4. leftTheta/Rose

THE POINT TW 15 AND THE REFLEX ZONE OF THE TONSILS ON THE FOOT

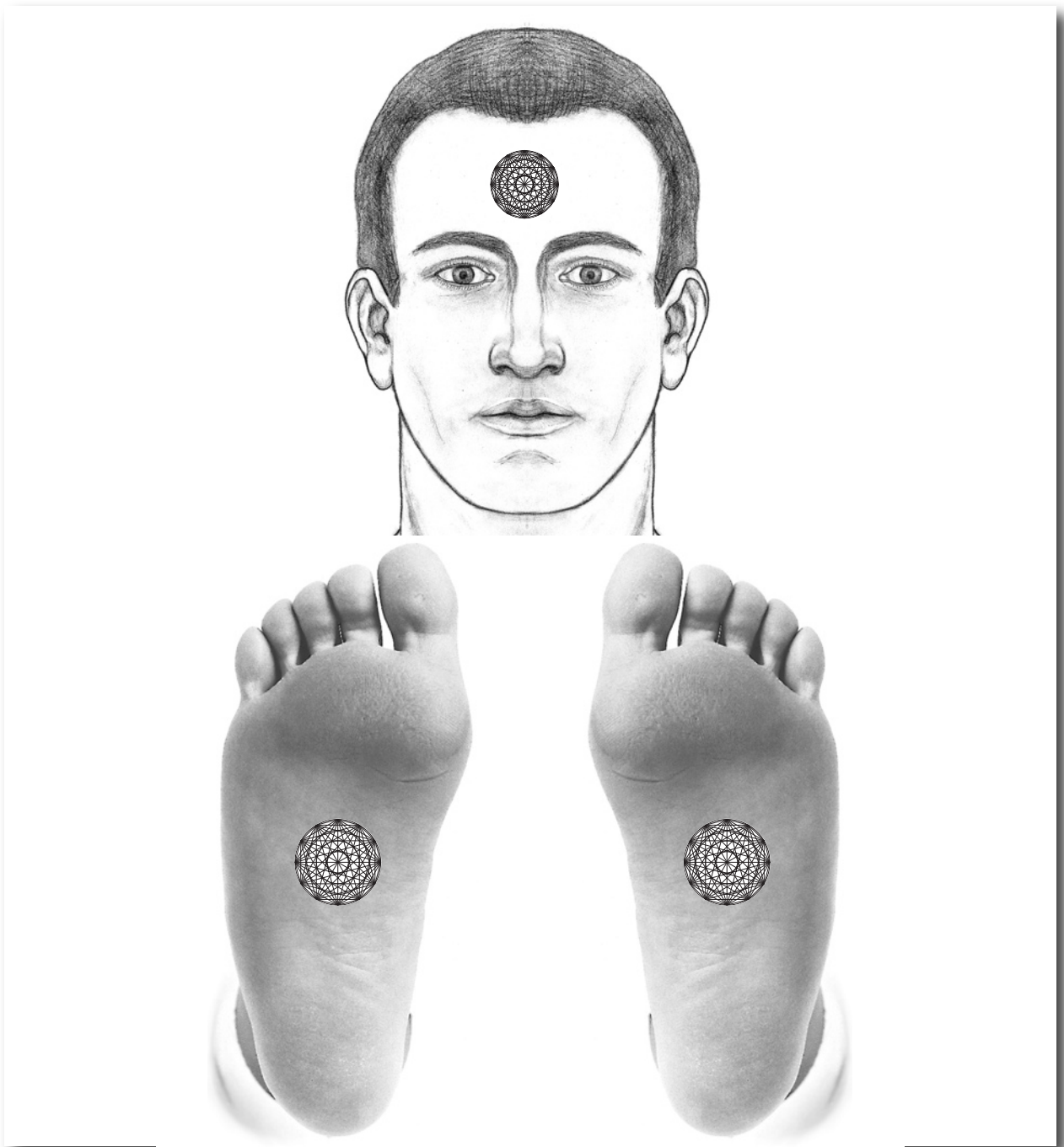
Indication:

Focal strains, unexplained pain conditions, imbalances of the lymphatic buffer, recurrent anxiety, chronic complaints of the tonsils, childhood conflicts showing a tonsillitis or tonsillectomy during the puberty spurts around ages 3, 6, 9 or 12.



Treatment sequence:

1. Acupuncture/piezoelectric pulses.
2. Induction and Colorpuncture
 GV 20Gamma/UV
3. Then the points treated with induction and colorpuncture
 1. Right backBeta/Crimson
 2. Left bottomDelta/Lightgreen
 3. Left backAlpha/Turquoise
 4. Right bottomTheta/Rose

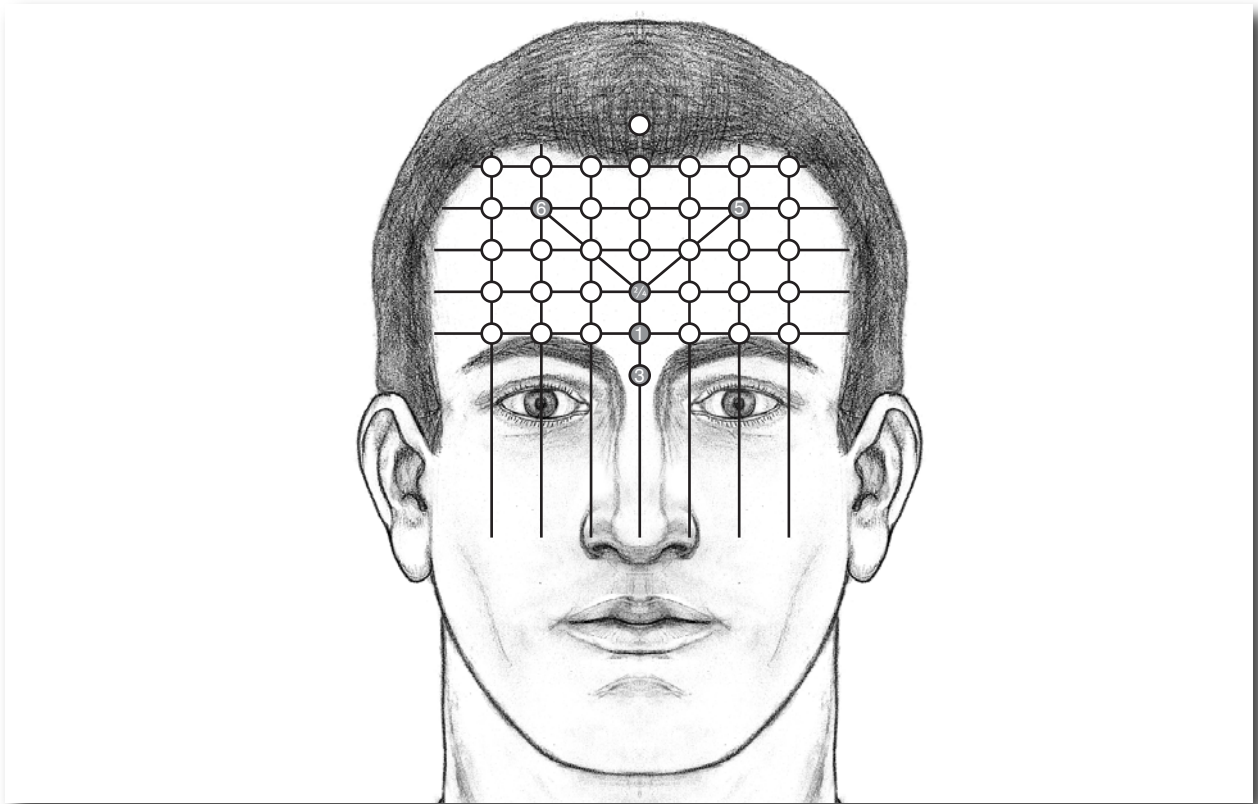


Application of the gray crystals:

1. Middle of the foreheadDark Gray
2. Center sole of foot, leftMedium Gray
3. Center sole of foot, rightLight Gray

Below now a case history about the horizontal and vertical points on the forehead area of the 37 points.

VICTORY SIGN UPWARDS



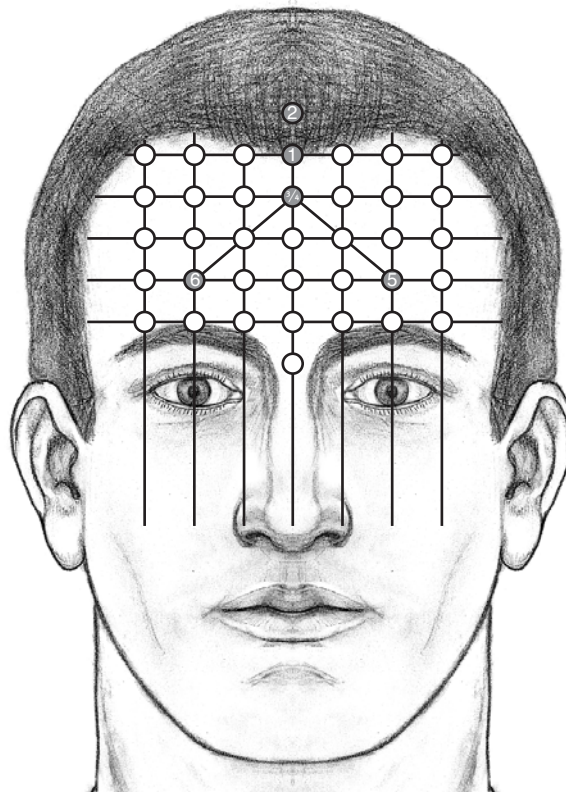
Treatment sequence:

1. Acupuncture/piezoelectric impulses
2. Colorpuncture
 1. Yin trangDark Gray
 2. Vertical point topMedium Gray
 3. Bridge of the noseLight Gray
 4. Point on the line autonomic nervous systemDark Gray
 5. Point on the endoderm line, leftMedium Gray
 6. Point on the endoderm line, rightLight Gray

When the patient shows a reaction at this first step with the Victory sign, it is a sure indication of prenatal therapy. Therefore, one should stop the whole treatment and continue with the prenatal treatment.

If there are no reactions with this treatment, the downward Victory sign can be conducted as a second step.

VICTORY SIGN DOWNWARDS



Treatment sequence:

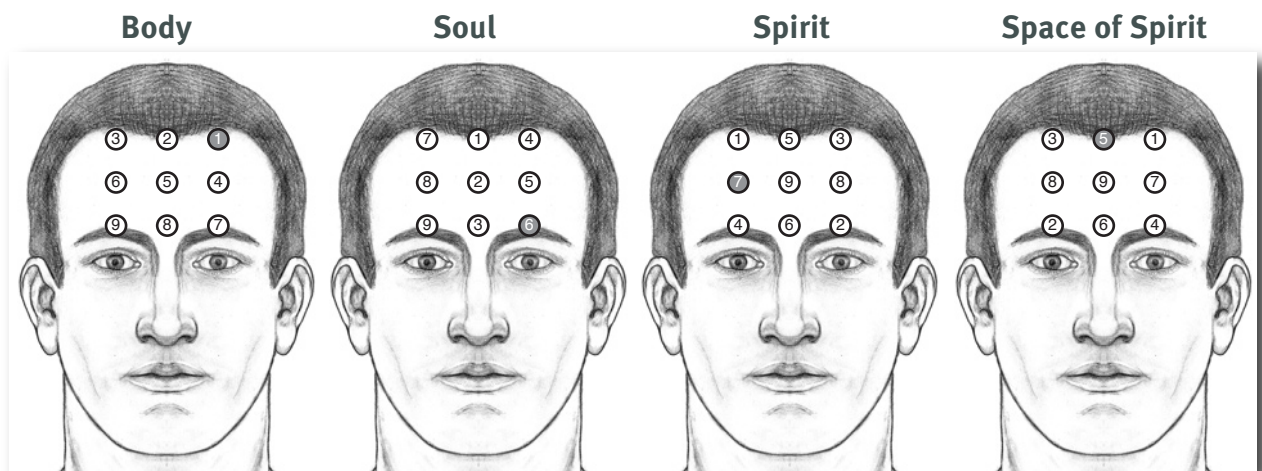
1. Acupuncture/piezoelectric impulses.
2. Colorpuncture
 1. Point at the hairlineDark Gray
 2. Birth pointMedium Gray
 3. Point of the central nervous systemLight Gray
 4. Point of central nervous systemDark Gray
 5. Point on endoderm line, leftMedium Gray
 6. Point on the endoderm line, rightLight Gray

Reactions to the treatment with the downward Victory sign signal that the patient does not want to die, in the sense of not wanting to let go (the last thing we will do in life is exhale). Here the treatment with the tunnel of birth and death would be important, and this could be done immediately after finishing with this treatment.

Since probably not all of you know this already 'ancient' treatment, I have listed it again in the appendix.

After the treatment the patient must rest and we are placing the Gray crystals on the following zones.

1. THE SPIRITUAL PRINCIPLE



The four levels of body - soul - spirit and space of the spirit (holomovement) carry the four numbers of our calculations. Sometimes it happens that despite of the numbers occupying different positioned in the field of the nine points of the grid, there are only two resulting points for treatment.

As a test, especially in regard to the complaints and symptoms of the individual, we massage the four points with the Information Energy Reflector (IER) vigorously for 3 - 5 seconds, and then also place the crystal on the respective point for 10 - 15 seconds.

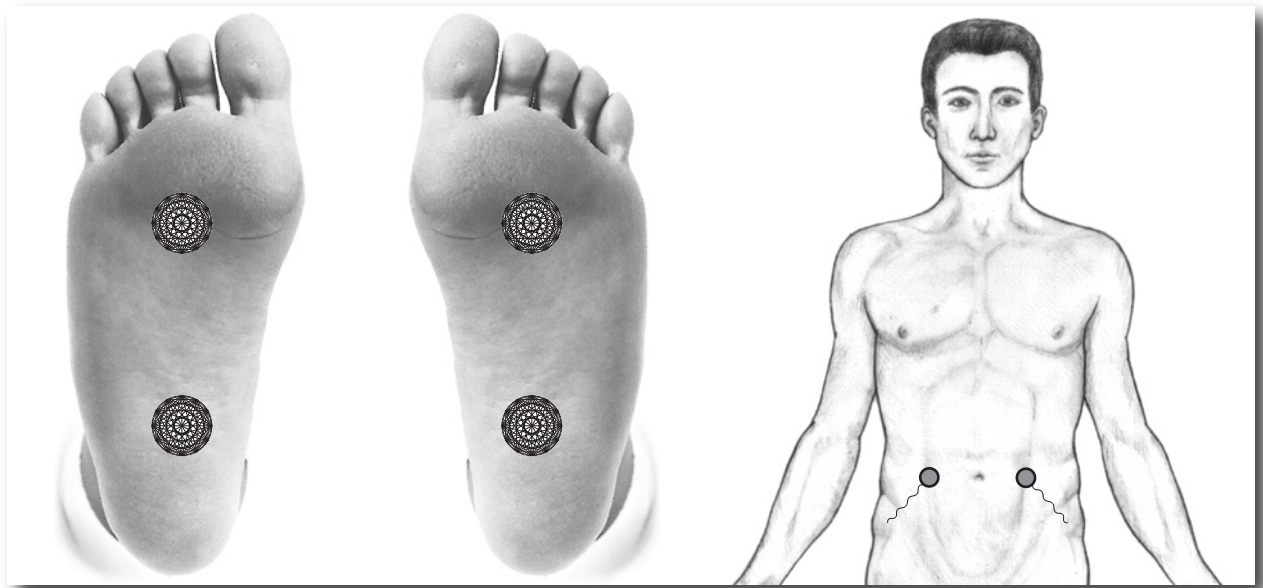
In most cases, they patient's symptoms will improve or resolve completely.

Treatment sequence:

The points in the order of body, soul, spirit and total number

1. Acupuncture/piezoelectric impulses
2.Infrared
3.Ultraviolet
4.Crystal puncture

After this treatment, we apply the soul-spirit crystals to the zones of Daath and Yesod for 15 minutes on the soles of both feet. At the same time we apply the Power Nap program at the central points of Netzah and Hod.



Treatment sequence:

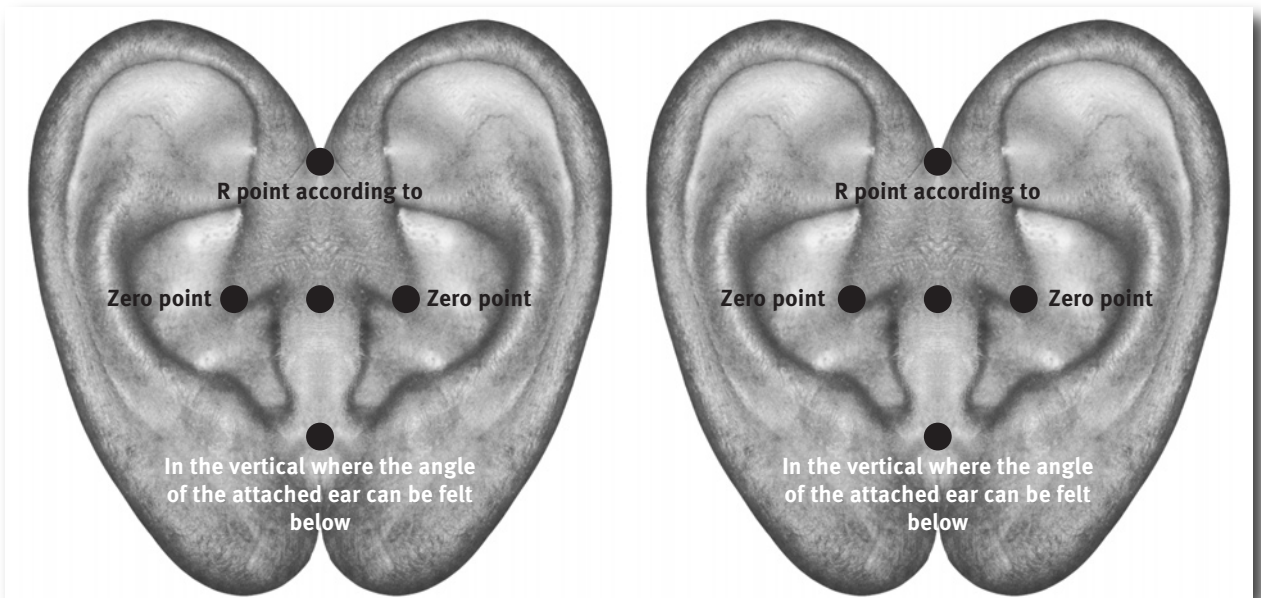
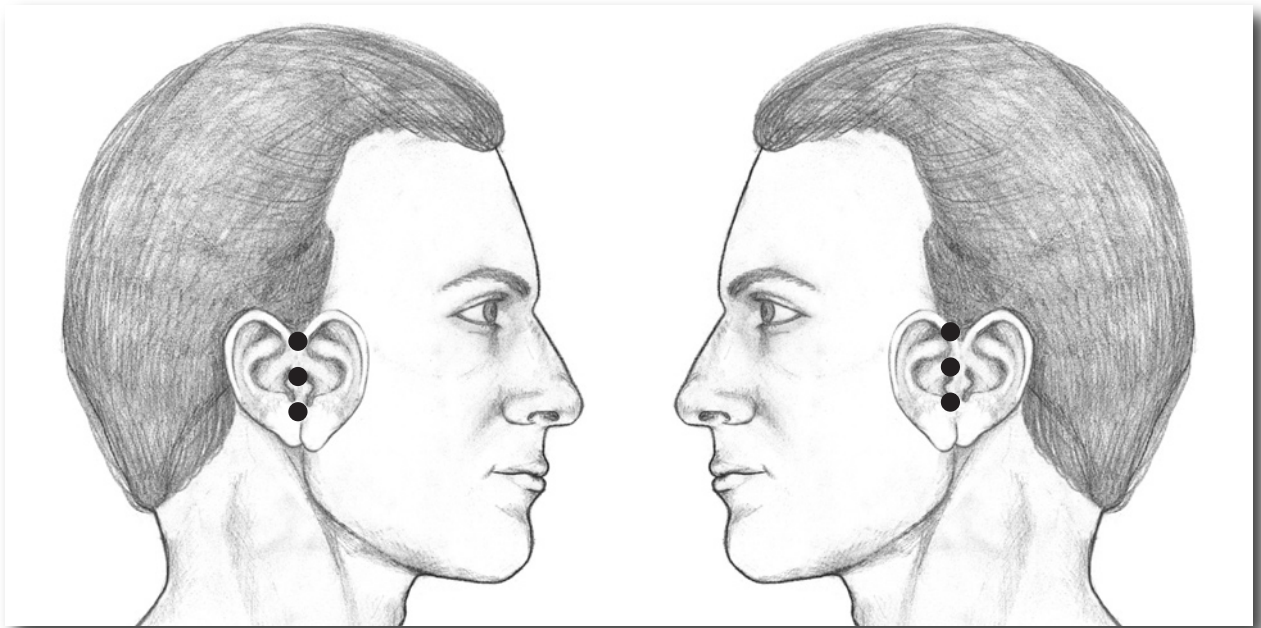
Crystals in soul spirit colors

- Top leftCrimson
- Bottom rightLightgreen
- Top rightTurquoise
- Bottom leftRose

I have reviewed this wonderful treatment, because we have continued to think further from here.

The realization that the reflex fields of the cranial roof, the forehead and the back of the head belong together, meant a new challenge for us to integrate these reflex fields. All of it has not yet been completed. However, new connections and correlations are being added daily. What is certain so far, I have outlined for you.

I would like to approach the three levels slowly theoretically, and therefore I shall first describe the connections of the 3 x 37 points in general. Already at this point I would like to mention that this surpasses everything that has been recognized so far, and that at the same time it is connected with everything I have been allowed to discover so far.



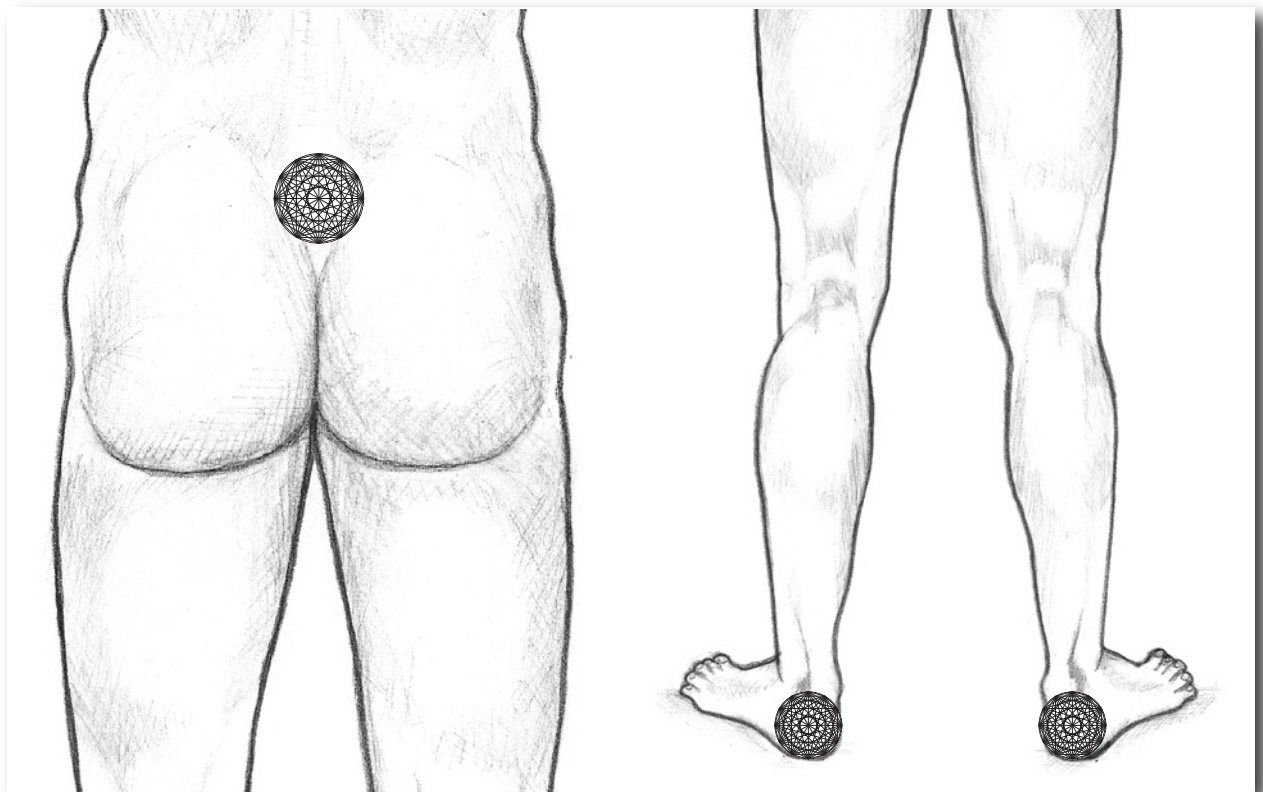
I changed the vertical point slightly. At the top it is now the R point according to Bourdiol, and at the bottom exactly opposite in the angle, where the ear is attached, the lower point (not the 12 point of the points around the ear).

The treatment is the same as we had determined it for the cone of substance. However, we are now adding the three points on the vertical and radiate them with the Gray shades.

Treatment sequence:

1. Acupuncture/piezoelectric impulses
2. Colorpuncture
 Center pointDark Gray
 R pointMedium Gray
 Lower pointLight Gray
3. Then the treatment of the rhombus induction and Colorpuncture
 Center pointGamma/UV
 R pointBeta/Crimson
 Lower pointDelta/Lightgreen
 Zero point earAlpha/Turquoise
 Zero point shadow earTheta/Rose

To this we add both heels and the center of the sacrum and cover these zones with the Gray crystals.



1. Hypothalamus pointDark Gray
2. Heel point leftMedium Gray
3. Heel point rightLight Gray

Editor:
Internationales Mandel-Institut
für Esogetische Medizin,
Bruchsal

Esogetic Medicine/ Colorpuncture

Workshop for the UpDate Seminar 2023

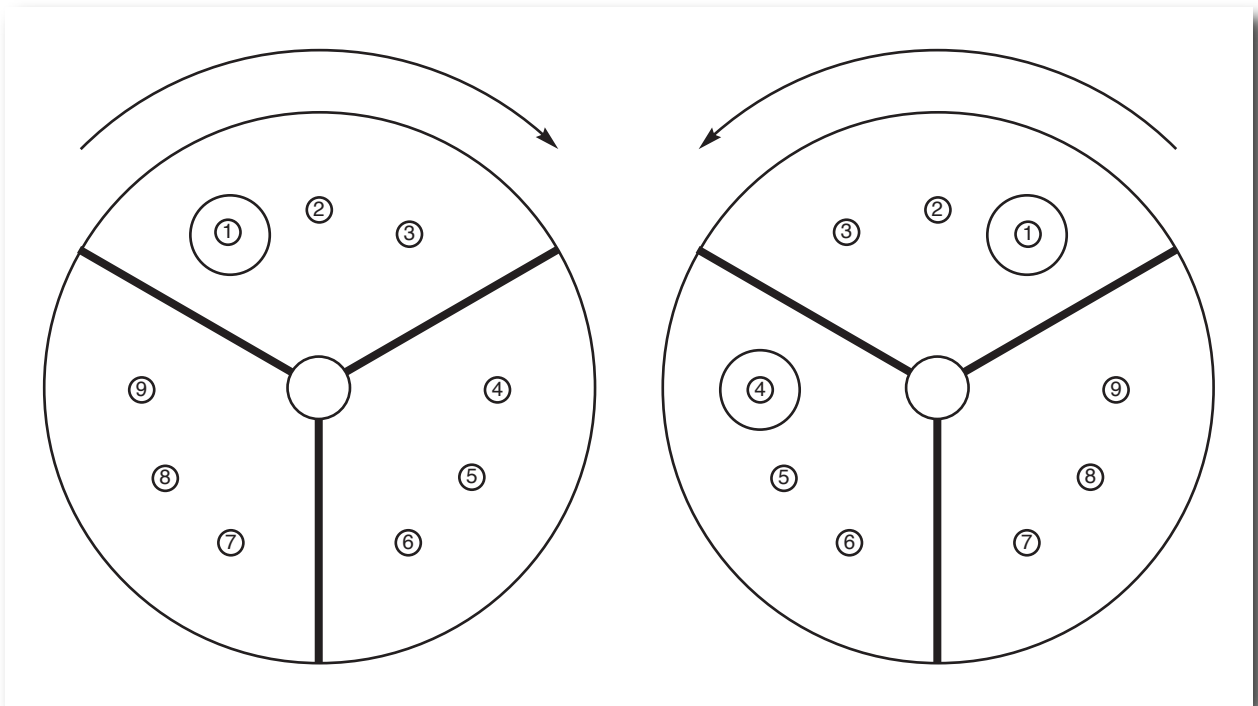
Corrections

All materials, contributions and illustrations are protected by copyright.
Use and reprint, even excerpts, are subject to written permission.
© Copyright 2018 by Peter Mandel + international Mandel Institute for Esogetic Medicine, Bruchsal

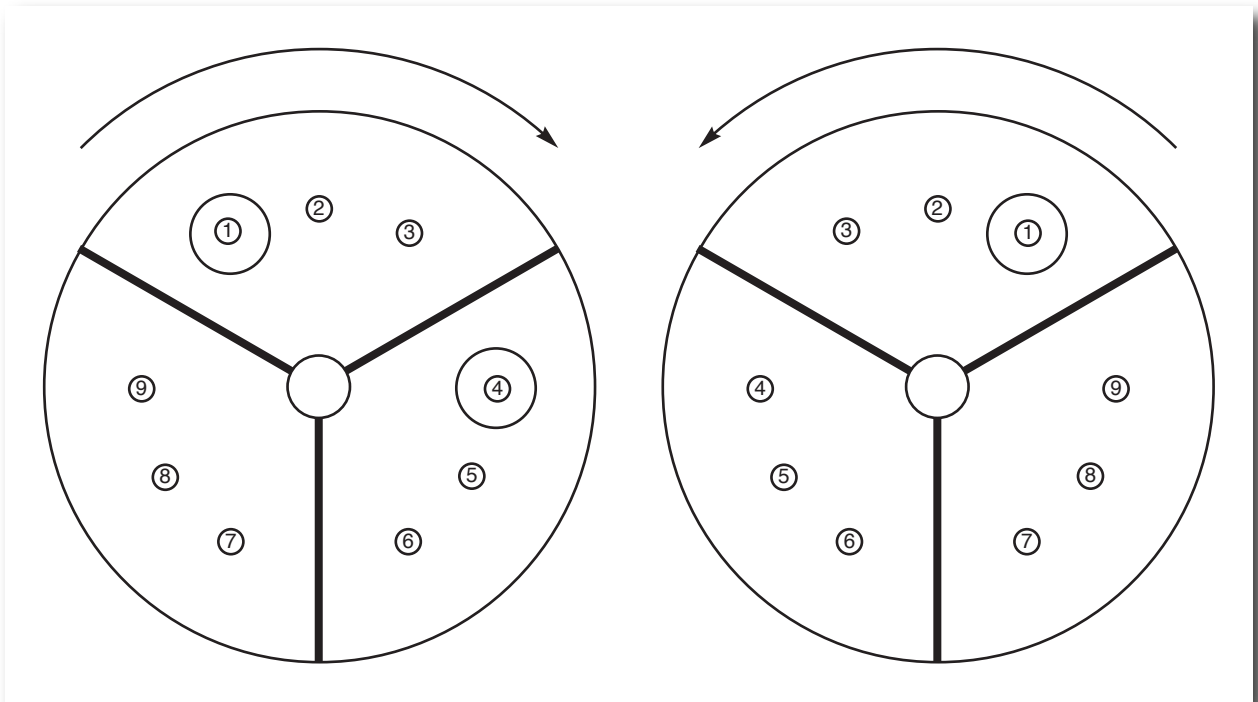


TABLE OF CONTENTS

The Reflection of the PFC on the Forehead at the Occiput	3
Coordination Lines Front and Back	5
Example EEA image: Conflict axes index finger	6
Mydriasis and Miosis	7
Combination of the Organ Line	8
Combination of the lower joints	10
Combination of the lower joints	12
The reflex areas of the fingers and toes in the lateral cranial region	14
What is an Attachment, and what does it mean for us as Human Beings?	21
Elementals	22
Attachment therapies	24
C7 Attachment	24
Ancestors / Saturn Attachment	25
Navel Attachment	26
L5 / S1 Attachment	27
CV 18 Attachment	28
Example EEA images Attachment	29
Wedge shaped phenomena	29
Bar formations	32
Grape formations	34
The Crystal or Symbol Attachment	37
The Sequence of Symbol Attachment in the Back	41
The Sequence of the Symbol Attachment in the Front	43
The 9 Attachment Points in the Back and in the front	45
The 9 Attachment Points in the Back	46
The Zones Center of the Sternum, Tephoret and Navel	48
The 9 Points of Emotional Attachment	49
Saturn, Opposite Tephoret and Opposite Navel	51
The Attachment Points in the Back and in the Front together with the Personality Points	52
Father, Mother and Child in the OGT field	56
Appendix 1 – Numerology	61
Appendix 2 – Therapy templates	67



Point right - father/selfDark Gray
 Point of the mother, leftMedium Gray
 Own point, leftLight Gray



or

Point left - mother/selfDark Gray
 Point of the father, rightMedium Gray
 Own point, rightLight Gray

ATTACHMENT 1

NUMEROLOGY

THE CONVERSION KEYS 1–8 AND 1–9

1. The conversion key 1 to 9 has the special priority in the Explicit.
2. The conversion key 1 to 8 refers above all to the "implicit" structures of the being human.

CONVERSION TABLE 1–8

A 1	B 2	C 3	D 4	E 5	F 8	G 3	H 5	I 1
J 1	K 2	L 3	M 4	N 5	O 7	P 8	Q 1	R 2
S 3	T 4	U 6	V 6	W 6	X 6	Y 1	Z 7	

Below are the conversion keys for the conversion of the so-called "soul consciousness":

CONVERSION TABLE 1–9

A 1	B 2	C 3	D 4	E 5	F 6	G 7	H 8	I 9
J 1	K 2	L 3	M 4	N 5	O 6	P 7	Q 8	R 9
S 1	T 2	U 3	V 4	W 5	X 6	Y 7	Z 8	Ω 9

1. Life path/Number of life
2. The integrated self
3. The soul number
4. The personality number

1. THE INTEGRATED SELF

Let us calculate the name (in total) which is recorded in our birth certificate. This is usually only important for women, no matter what their name may be later in life. The term "Integrated Self" refers to the ideal and highest state of being that we can achieve in this life, but it is different from the "higher self". If a person lives his "integrated self", he is guided by the "higher self".

My „Birth Name“ is

P e t e r	F r i e d r i c h	M a n d e l
7 5 2 5 9	6 9 9 5 4 9 9 3 8	4 1 5 4 1 3
28	62	22
2 + 8	6 + 2	remains
10	8	22
1	8	22

Sum: $31 = 3 + 1 = 4$

The number of my „integrated self“ is the 4.

2. THE SOUL NUMBER

We determine the number of souls by the vowels of the whole name, as in unitology:

P e t e r	F r i e d r i c h	M a n d e l
5 5	9 5 9	1 5
10	23	6
1	5	6

Sum: $12 = 1 + 2 = 3$

My soul number according to the teachings of Mrs Buess is therefore 3.

The number of the soul reveals to the human being the individual-specific vibration which expresses itself in the "personality". It is an energy pattern or hologram which the "soul" together with the "higher self" deems suitable to initiate the development process of the "personality" to move forward.

3. THE PERSONALITY NUMBER

The personality number is determined from the consonants of the entire name:

P	e	t	e	r	F	r	i	e	d	r	i	c	h	M	a	n	d	e	l
7	2	9	6	9	4	9	3	8	4	5	4	3							
18					39				16										
9					12				7										
9					3				7										

Sum: $19 = 1 + 9 = 10 = 1 + 0 = 1$

My personality number is the 1.

The personality number is the central point through which the uniqueness, the individuality - precisely the personality - is reflected outwards.

Summary of the numbers, calculated according to the "Lynn Buess" system

- | | | |
|----|--------------------------------|---------|
| 1. | Life path/NUmber of life | .5 |
| 2. | Integrated self | .4 |
| 3. | Soul number | .3 |
| 4. | Personality number | .1 (10) |
| 5. | Esogetic number | .13 = 4 |

CONVERSION TABLE 1–8

A 1	B 2	C 3	D 4	E 5	F 8	G 3	H 5	I 1
J 1	K 2	L 3	M 4	N 5	O 7	P 8	Q 1	R 2
S 3	T 4	U 6	V 6	W 6	X 6	Y 1	Z 7	

In my opinion, the old conversion system - letter > number: 1 to 8 - is able to help us meet our "soul consciousness" through specific transfer of the individual numbers found to the surface of the body.

Below is the calculation again of my numbers:

1. the number of the life path remains the same. However, it has different positions on the body surface in this calculation.

2. the number of the integrated self
 Peter Friedrich Mandel
 8 5 4 5 2 8 2 1 5 4 2 1 3 5 4 1 5 4 5 3
 24 31 22
 6 4 4

Sum: 5

The number of the integrated self is the 5.

3. The number of souls is again derived from the vowels:

Peter Friedrich Mandel
 5 5 1 5 1 1 5

The soul number is the 5

4. The number of the personality results from the consonants:

Peter Friedrich Mandel
 8 4 2 8 2 4 2 3 5 4 5 4 3

My personality number is the 9.

Summary of both sets of numbers

	Conversion 1–9	Conversion 1–8
Life path	5	5
Integrated self	4	5
Soul number	3	5
Personality number	1	9
Esogetic number	4	9

Let us repeat:

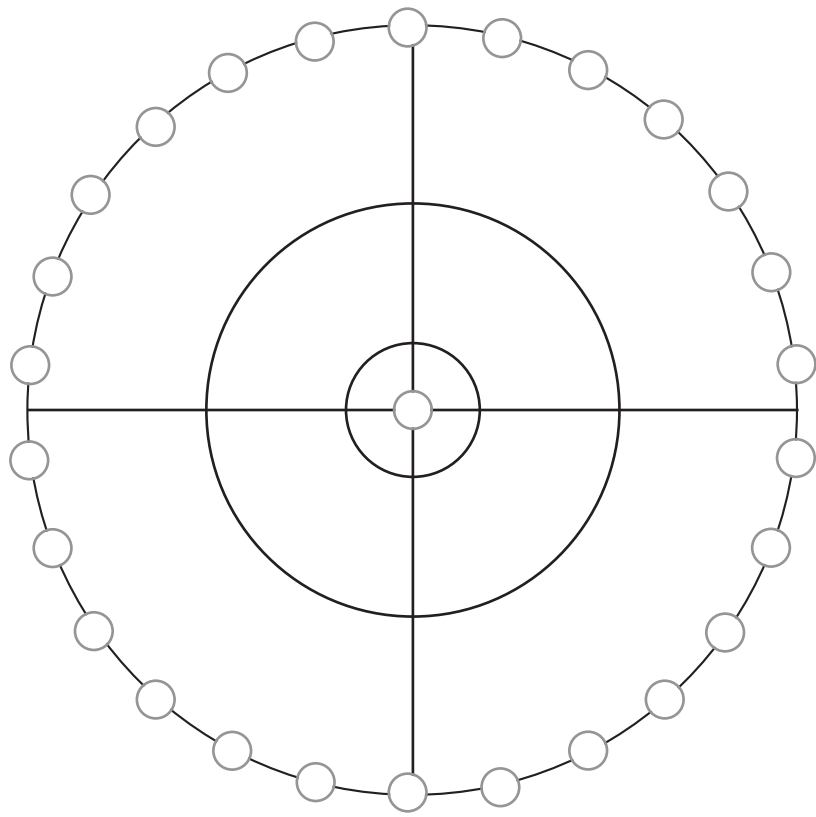
1. the series of numbers with the conversion table 1 to 9 refers to the term "consciousness of the cell".
2. The number series with the conversion table 1 to 8 refers to the term "consciousness of the soul".

Personality Body:	8
Personality Soul:	9
Personality Spirit = Total number Body + Total number soul = 8 + 9 =	8
Personality Total: Body + Soul + Spirit = 8 + 9 + 8 =	7

APPENDIX 2

THERAPY TEMPLATES

ATTACHMENT



PENTAGRAM ATTACHMENT

